

WaveLogic 6 Nano 400G–800G Interop Pluggable Transceivers

WaveLogic™ 6 Nano (WL6n) 400G–800G Interop Pluggable Transceivers harness Ciena’s advanced technology to power a wide range of applications from 800ZR metro data center interconnect (DCI) to 400G long-haul and 800G metro/regional deployments. Interoperable probabilistic constellation shaping (PCS) is used to achieve 800G reach at 1,000 km distances and even longer reaches at 600G. Based on 3 nm CMOS, WL6n 400G–800G Interop Pluggables allow for multiple customizable product offerings that deliver the optimal balance of performance and power as required per the application.

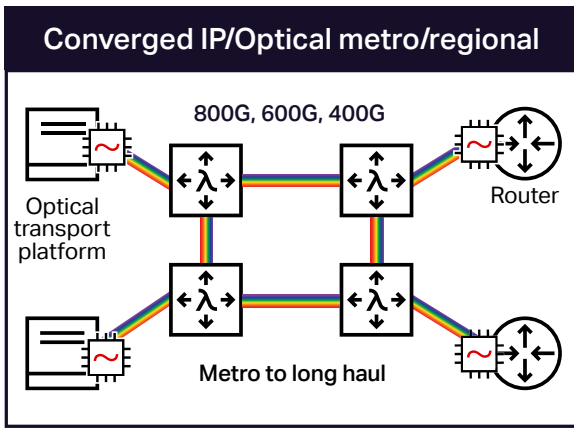
What are WL6n 400G–800G Interop Pluggables?

These coherent pluggable transceivers use Ciena’s innovation in coherent DSP, electro-optic miniaturization, and high-speed packaging to deliver double the capacity within the same space as 400G pluggables—resulting in cost, power, and operational savings. Addressing requirements to get more capacity from deployed fiber, WL6n 400G–800G Interop Pluggables are offered across both the C-band and L-band and, in this way, deliver double the fiber capacity compared to 400G pluggable offerings.

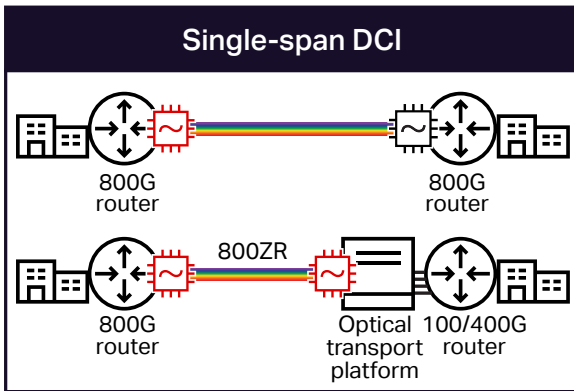
Ciena’s WL6n pluggable transceiver design is born from active collaboration in standards and industry forums such as OIF, ITU-T, and OpenROADM. WL6n 400G–800G Interop Pluggables are optimized for Ethernet transport and support OIF 800ZR and ITU-T/OpenROADM-compliant 400G, 600G, and 800G modes, including 600G ZR+ and 800G ZR+ interop PCS. Fully CMIS compliant, and available in both QSFP-DD800 and OSFP800 form factors, WL6n 400G–800G Interop Pluggables allow for simple integration across a wide range of third-party host platforms. Furthermore, with support for customizable registers, WL6n pluggables can be programmed to support specific host requirements to deliver space- and power-efficient 400–800 Gb/s using network providers’ switch/router of choice, for all applications from metro to long haul.

Where do WL6n 400G–800G Interop Pluggables fit?

Addressing higher bandwidth connectivity requirements for Ethernet transport, WL6n 400G–800G Interop Pluggables support OpenROADM-compliant 600G ZR+ and 800G ZR+ modes. These modes implement interoperable PCS to extend 600G pluggable reach to long-haul applications and 800G pluggable reach to 1,000 km for the first time. For network providers focused on power and space efficiencies looking to extend 400G pluggable reach to long-haul applications, WL6n delivers a high-performance ITU-T/ OpenROADM-compliant 400G QPSK mode that enables 400G across most network links.



For cloud and content providers that need to scale to 800G switches and routers for metro DCI, WL6n delivers interoperable 800G DWDM based on the OIF 800ZR Implementation Agreement (IA). Optimized for Ethernet transport and 150 GHz fixed-grid line systems, WL6n 800ZR supports single-span reaches up to and above the 120 km distance in the OIF IA. Additional enhancements extend the WL6n 800G 16QAM reach for packet transport to 500 km metro distances, compliant with ITU-T/OpenROADM Multi-Source Agreement (MSA) requirements.



WL6n 400G–800G Pluggables are designed for ease of deployment in third-party products through support of standardized management interfaces.

The efficiencies of 3 nm CMOS in an 800G pluggable

Optimized for 400/800GbE client connectivity and ultimate power and space savings, WL6n 400G–800G Interop Pluggables deliver:

- High-capacity 800G, 600G, and 400G connectivity in space- and power-efficient pluggable form factors, harnessing low-power 3 nm CMOS technology
- 800ZR for DCI applications (120 km), with the ability to extend to 500 km
- 800G/600G ZR+ that implement interoperable PCS for 1,000 km reaches at 800 Gb/s and longer reaches at 600 Gb/s
- Expanded 400G pluggable network coverage, spanning long-haul applications and compliant with ITU-T/FlexO standards and OpenROADM MSA
- Ability to double fiber capacity with support for both C- and L-band pluggable variants
- Full CMIS compliance for ease of design and integration into third-party host platforms
- Transport optimized for Ethernet clients
- Fully customizable registers to address specific host requirements
- Choice in pluggable type, offered in both QSFP-DD800 and OSFP800 form factors

| Standards | Mode names | Line rates (Gb/s) | Mod | FEC | Symbol rates (GBaud) |
|---------------------|--------------|-------------------|------------|------|----------------------|
| OIF | 800ZR | 800G | 16-QAM | OFEC | 118 |
| OpenROADM | FlexO-8e-DPO | 800G | PCS 16-QAM | OFEC | 131 |
| | FlexO-6e-DPO | 600G | PCS 16-QAM | OFEC | 118 |
| ITU-T/ OpenROADM | FlexO-8e-DO | 800G | 16-QAM | OFEC | 118 |
| | FlexO-4e-DO | 400G | QPSK | OFEC | 118 |

Ciena may make changes at any time to the products or specifications contained herein without notice. Ciena and the Ciena Logo are trademarks or registered trademarks of Ciena Corporation in the U.S. and other countries. A complete list of Ciena's trademarks is available at www.ciena.com. Third-party trademarks are the property of their respective owners and do not imply a partnership between Ciena and any other company. Copyright © 2026 Ciena® Corporation. All rights reserved IB195 1.2026